
INDEX

	<i>Page</i>
FLYWHEEL BOLSTER	K2
FLYWHEEL PUNCH	K2
FLYWHEEL STRIPPING BARS (2)	K2
CLUTCH SPRING COMPRESSOR	K2
SMALL-END BEARING EXTRACTOR	K2
REAR DAMPER TOOL	K3
WHEEL BEARING RETAINER PEG SPANNER	K3
ENGINE SPROCKET EXTRACTOR	K3
FORK LEG REMOVAL TOOL	K4
OIL SEAL EXTRACTOR PUNCH	K4
OIL SEAL ASSEMBLY TOOL	K4
OIL SEAL HOLDER TOOLS	K5

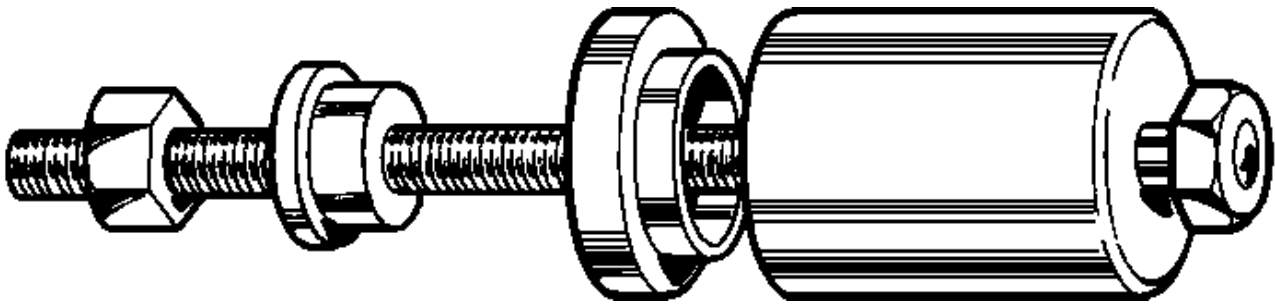


FIG. K1.
61-3791 *Small-end Bearing Extractor.*

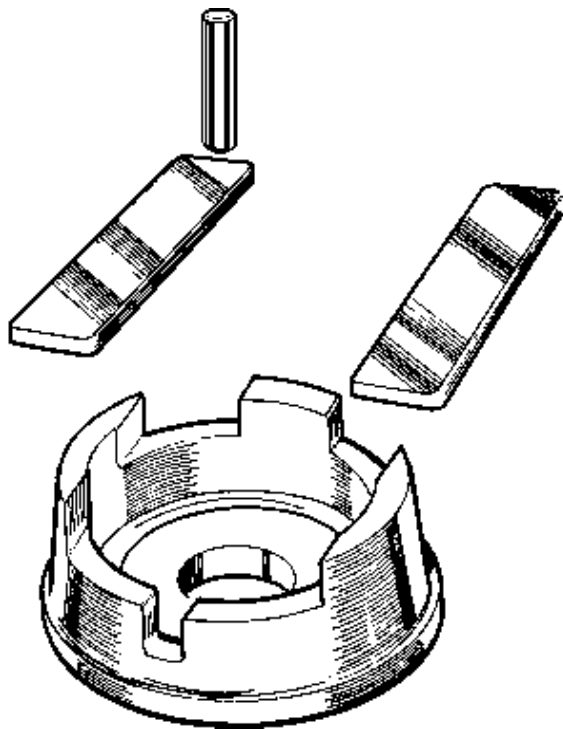


FIG. K2.
61-3206 *Flywheel Bolster.*
61-3209 *Flywheel Punch.*
61-3208 *Flywheel Stripping Bars (2).*

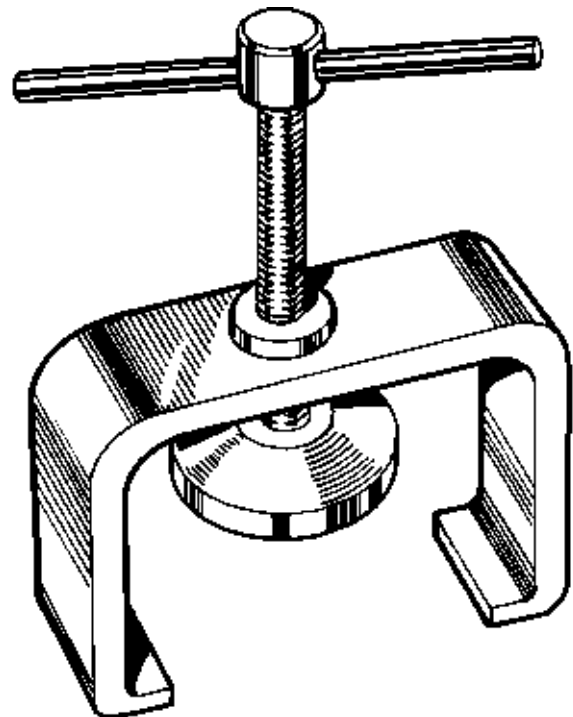


FIG. K3.
61-3191 *Clutch Spring Compressor.*

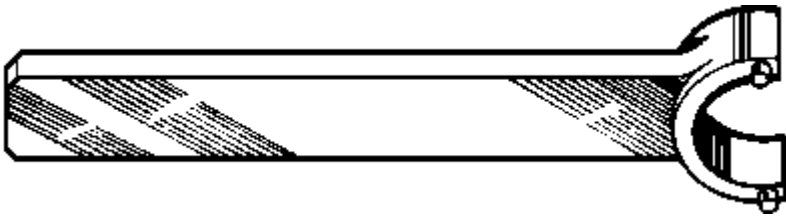


FIG. F4.
61-3644 *Wheel Bearing Retainer Peg Spanner.*

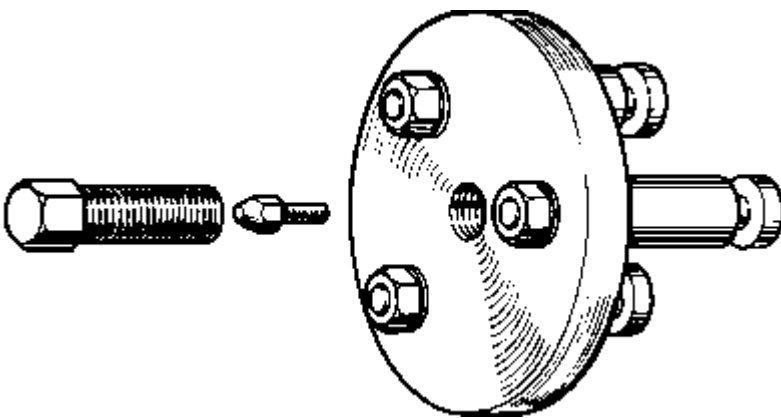


FIG. K5.
61-3796 *Engine Sprocket Extractor.*

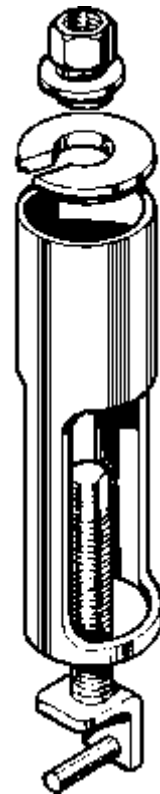


FIG. K6.
61-5064 *Rear Damper Tool.*

FRONT FORKS

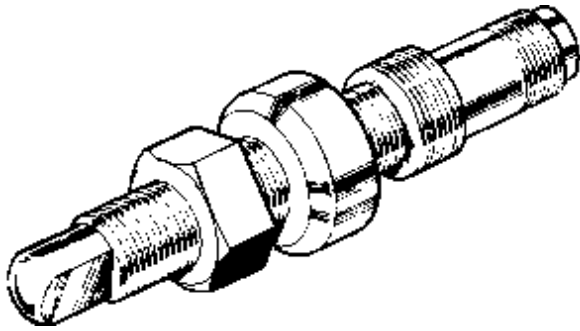


FIG. K7.
61-3824 Fork leg removal tool.

FIG. K8.
Oil seal extractor
punch No. 61-3006.

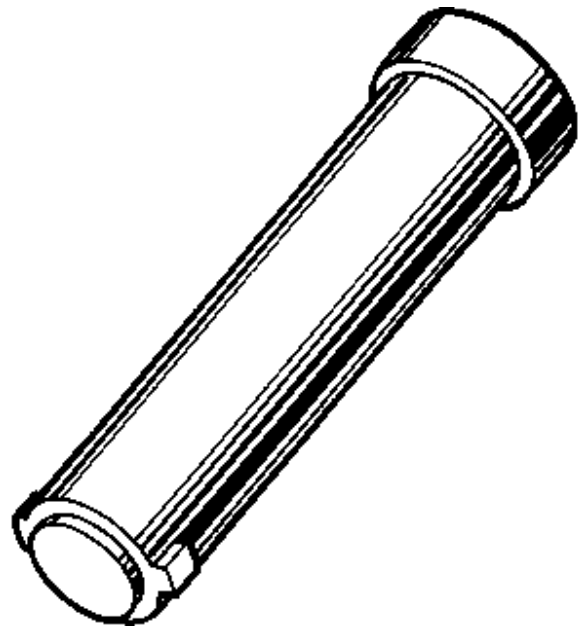
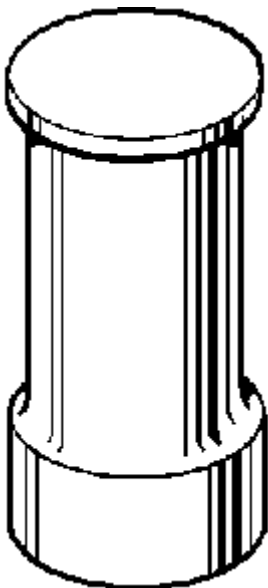


FIG. K9.
Oil seal assembly
tool No. 61-3007.



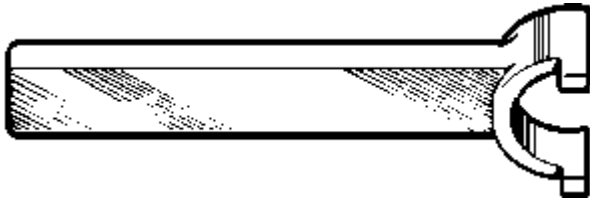


FIG. K10.
61-3633 Fork Leg Oil Seal Holder Tool.

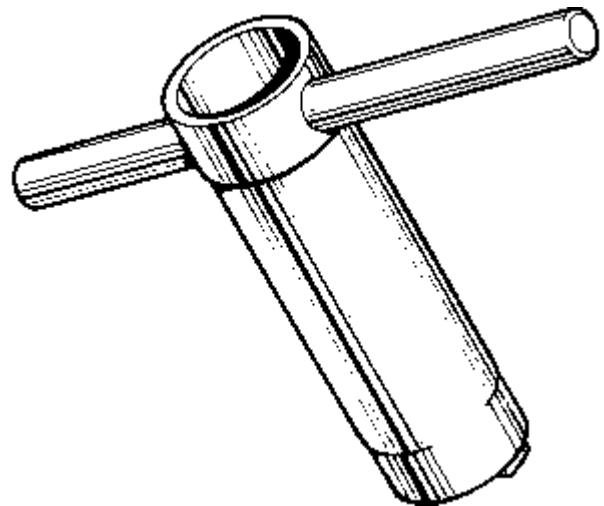


FIG. K11.
Oil seal holder fitting and
removal tool No. 61-3005.