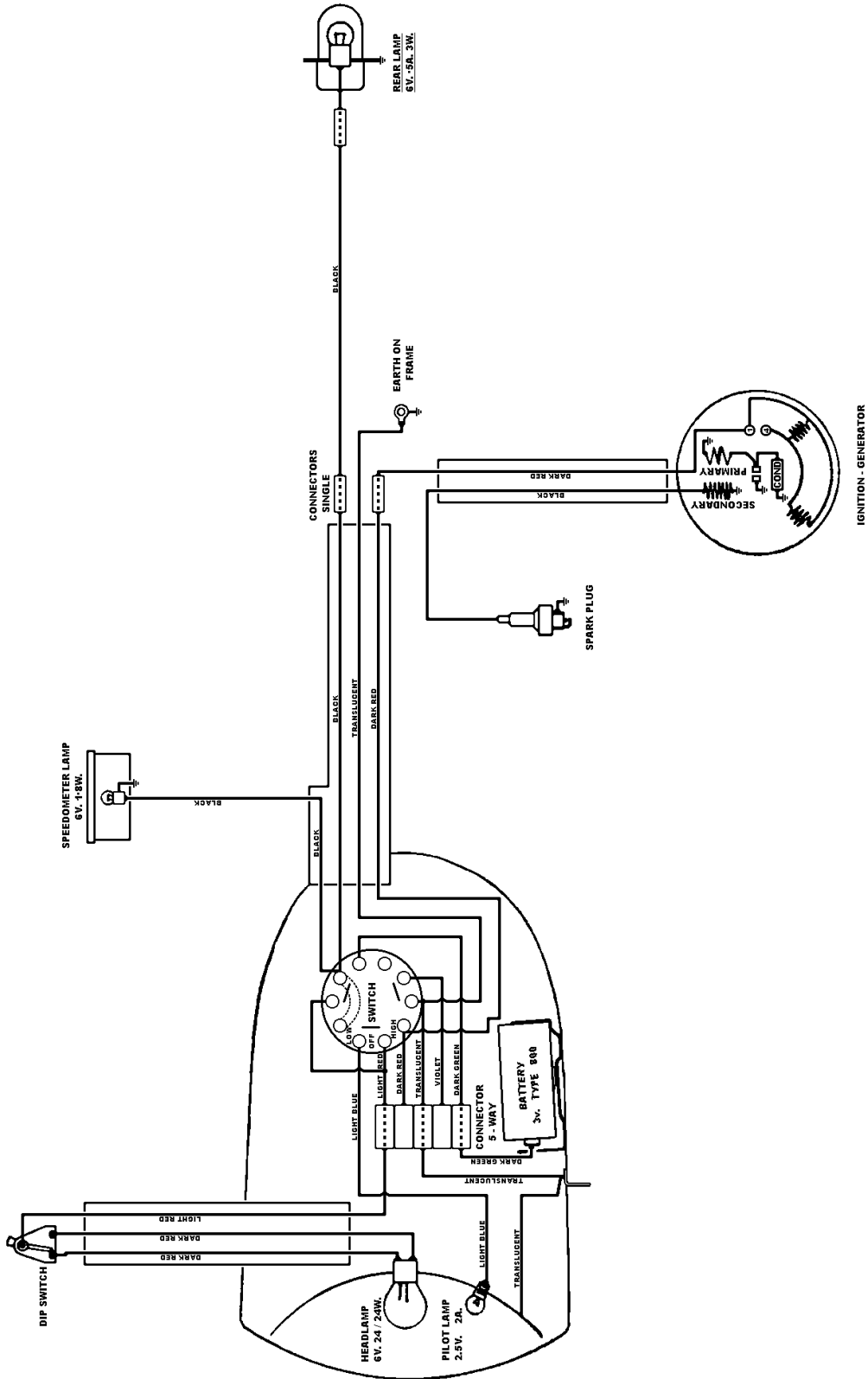


# BSA SERVICE SHEET No. 808E

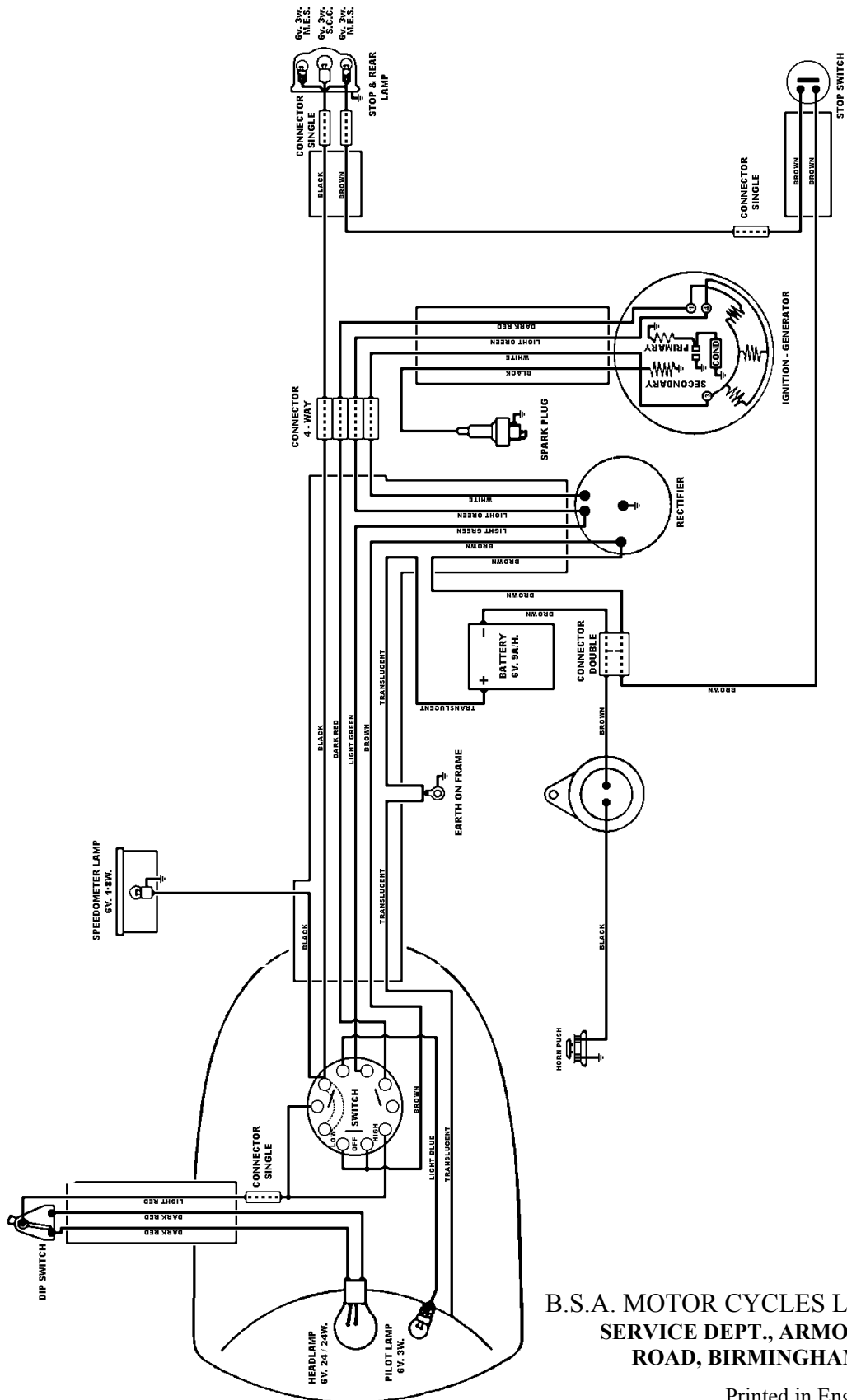
Reprinted June 1965

## 1956 D Group Models WIRING DIAGRAMS

### Wipac A.C. Lighting



## Wipac A.C. Lighting (Positive Earth System)



B.S.A. MOTOR CYCLES LTD.,  
SERVICE DEPT., ARMOURY  
ROAD, BIRMINGHAM, 11

Printed in England.